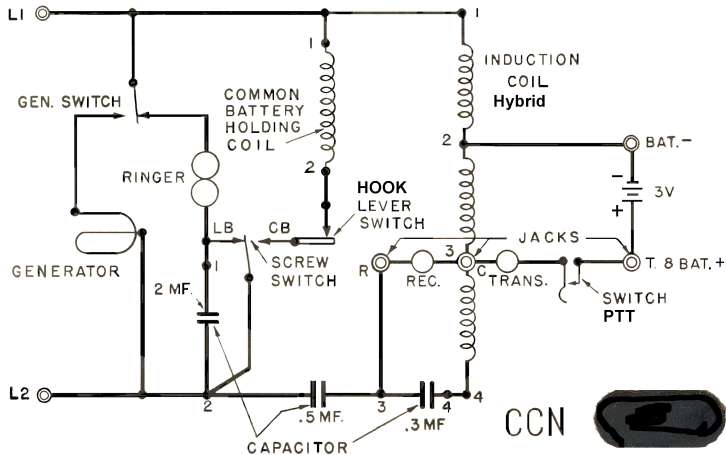


# TELEPHONE EE-8-B

## SCHEMATIC DIAGRAM



CCN



7704 - PHILA - 44

© Brooke Clarke 2003